

S275 Coolant Level Switch – Capacitance Type



The **S275** is an active device designed to give an alarm signal if liquid falls below, or rises above, a preset level. It can be specified with a delay to eliminate false alarms due to turbulence.

Containing a factory programmable microprocessor, the switch provides source voltage output. Its small footprint with limited intrusion into the tank means a reduced risk of damage and a wide range of customer specifiable options make it suitable for most applications.

The switch is designed to operate in both earthed metal and isolated plastic tanks. For high accuracy the S275 is ideally mounted horizontally at the point where an alarm or control signal is required. However, the switch can be mounted vertically – contact Rochester Sensors with your application requirements.



SPECIFICATION

- Liquid types:** Water based liquids such as coolant or washer fluid.
- Electrical rating**
- Supply voltage:** 9-36 VDC.
- Supply current:** 7 mA + source output.
- Max. load current:** 20 mA (source).
- Alarm delay time:** 0 to 25 s rising or falling (factory set).
- Connection:** 4 way Delphi Packard Metri-Pack 150 series connector.
- Power up delay:** 0 to 10 s (factory set).
- Power up state:** 'In Liquid' or 'In Air' (factory set).
- Output type:** Source (supply voltage less typically 2.7 V @ 10 mA).
- Output pin:** Pin D.
- Output state:** Source On / Off in liquid (factory set).

Connections: See diagram below.

Environmental Ratings

- Ingress:** IP67 (with mating connector fitted).
- Max. pressure:** 5.0 Bar (72 psi)
- Temp. range:** -40 °C to +125 °C
- Weight:** 70 g typical (dependent on thread size)
- EMC:** ISO13766:2006

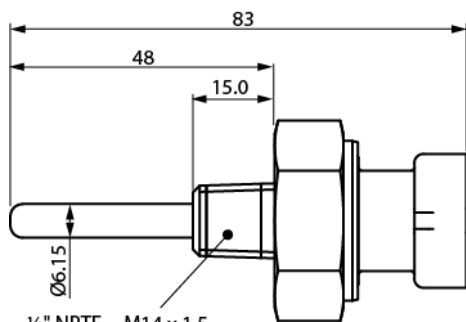
Construction

- Body:** Brass.
- Probe:** PTFE.
- Terminals:** Brass, Tin Plated.
- Seals:** EPDM & FVMQ.
- Connector:** PA66 30% Glass Filled Nylon.
- Thread sealant:** Vibra-Seal 516 (taper thread variants only).

Vibration (15.3 Grms)

3 orthogonal planes for 3 hours per plane
Testing performed in accordance with BSEN 60068-2-64:1993

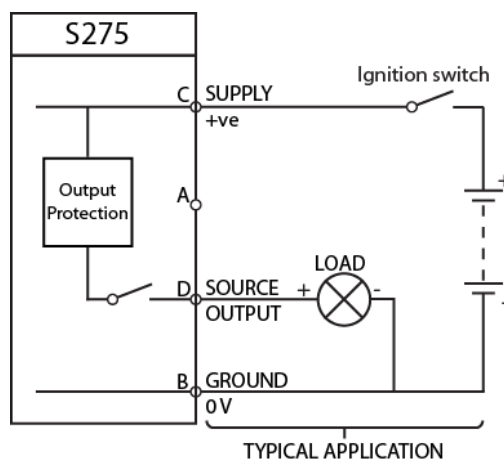
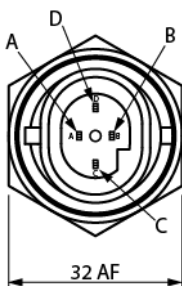
Drop: 1 m to concrete surface.



- ¼" NPTF M14 x 1.5
½" NPTF M18 x 1.5
¾" NPTF Others on request
½" BSPP
½" BSPT

Recommended Installation Tightening Torques:

¼" NPTF	9 Nm	M14x1.5	10 Nm
¾" NPTF	11 Nm	M18x1.5	15 Nm
½" NPTF	20 Nm		
½" BSPP	15 Nm		
½" BSPT	20 Nm		



NOTE: PIN A IS NOT USED.

Optional accessories

C/K1: Packard Metri-Pack 150 series mating connector kit to suit harness wire cross sectional area of 0.8 to 1.0 mm² and sleeve Ø1.60 to 2.15 mm.